

Sink Elettra 5186 06x

Sinks

Code: 5186 06x

Code: 5186 061 DX (Vasca a destra)

Code: 5186 062 SX (Vasca a sinistra)



DETAILS

Base 45 cm

Edge/Installation Type Standard (8 mm Edge)

Dimensions 860x500 mm

Standard fittings Fixing hooks, gasket, drain, overflow and siphon, boxed packing

Mixer holes 1 foro di serie

Built-in hole 840x480 mm

Drainer Yes

Width 86 cm

Material/Finish Foster-brushed finish AISI 304 stainless steel

Bowl dimension 341x400mm

Number of bowls 1 bowl

Waste fitting 3,5" drain

FEATURES

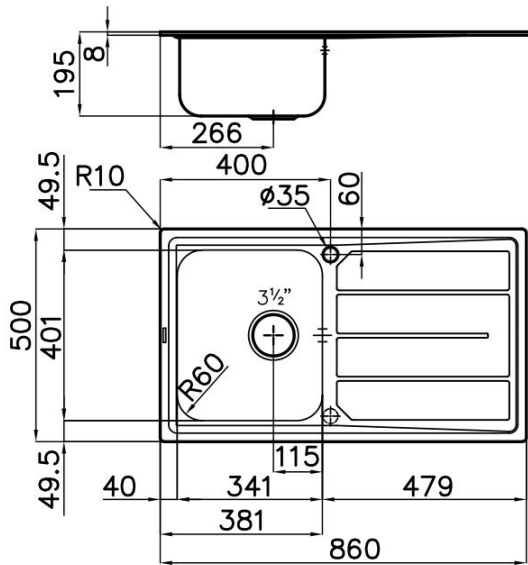
2nd / 3rd hole available The sink can be customized with the execution on request of additional holes, usable for double-hole mixers, for remote controlled drains or for the installation of soap dispensers. The positions are marked on the drawings with dotted line holes.

Added value Foster uses steel thicknesses higher than those used on average by other manufacturers. This is how, thanks to our long experience, we know how to make sinks of superior quality and with a better resistance to aging.

Basket 3,5" waste fitting The drain is equipped with a large 3.5" drain, with the practical basket cap that prevents the discharge of solid parts. The 3.5 "drain allows the use of the Foster waste-disposer, compatible with all models.

Sliding brackets

TECHNICAL DATA



OPTIONAL ACCESSORIES



Glass chopping board 8631 300



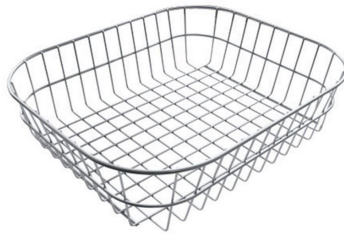
HPDE Chopping board 8657 001



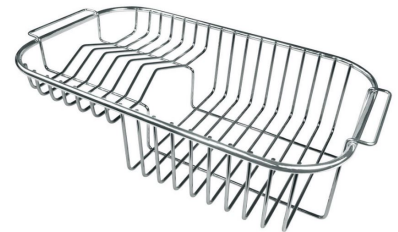
Iroko-wood chopping board 8647 000



Iroko-wood sliding chopping board 8643 000



Stainless steel basket 8611 000



Stainless steel plate rack 8100 301



White bowl 8153 100

OPTIONAL AUTOMATIC WASTE FITTINGS



Automatic waste fitting 8407 000



Automatic waste fitting 8407 100



LIRA automatic waste fitting
8407 103